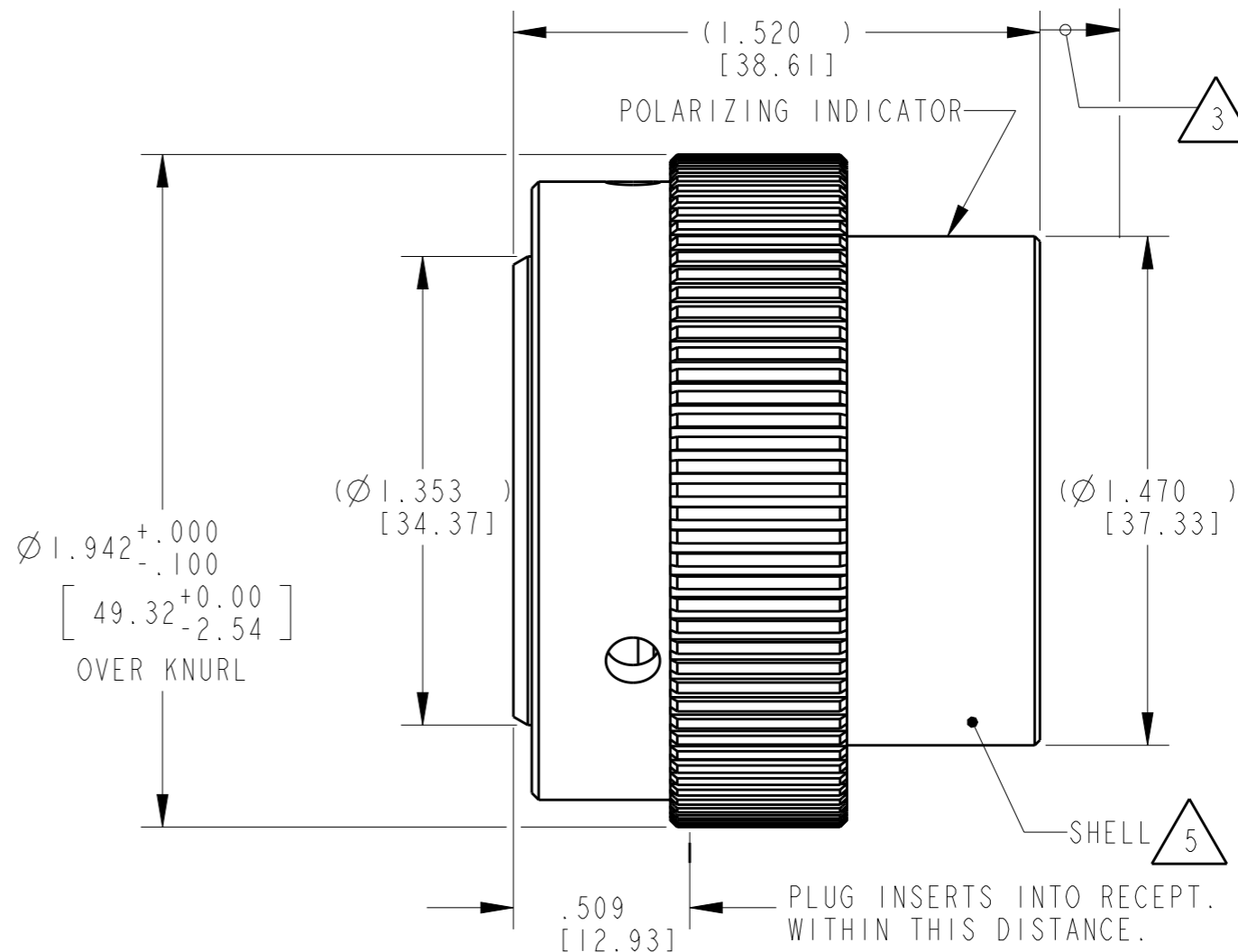
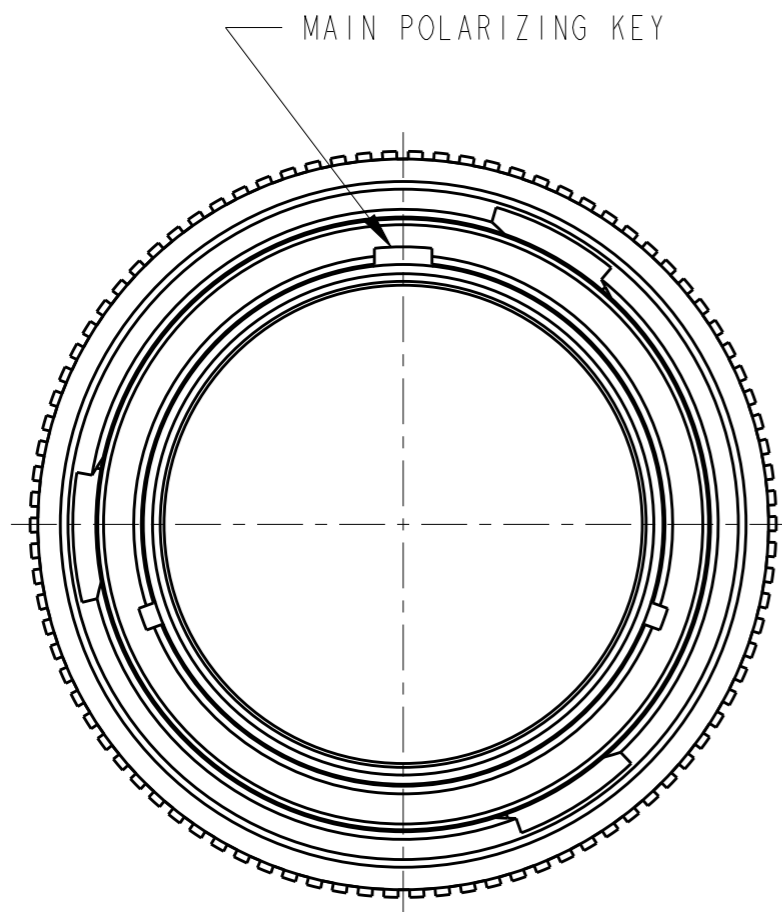


LOC	DIST	REVISIONS			
P	LTR	DESCRIPTION	DATE	DWN	APVD
-	-	NC	NEW RELEASE PER E.O. A14915	04DEC1995	- RDR
		A	REVISED PER E.O. P18134	23MAY2003	- RDR
		B	REVISED PER E.O. P18565	20SEP2004	- RDR
		B1	REVISED PER ECO-15-001798	12AUG2014	PV DM



5. MATERIAL:
 PLUG HOUSING: AL 6000 SERIES
 SHELL MATERIAL: METAL
 INSULATOR : PLASTIC

4. THIS SHELL MATES WITH HD34-24-XXP/SX-XXXX

3. TOTAL DIM. WITH EXTENDED WIRE SEAL (WITH CONTACTS #4 OR #8 ONLY) = 1.750±.050 [44.45±1.27].

2. SEE DRAWING 0425-014-2400 FOR ARRANGEMENT OF CONTACT LOCATION.

1. CONSULT THE FACTORY FOR ELECTRICAL AND MATERIAL SPECIFICATIONS.

NOTES:

THIS DRAWING IS A CONTROLLED DOCUMENT.		DWN VIJETH BHARADWAJ 30OCT2014	TE Connectivity			
DIMENSIONS: INCHES [mm]		CHK I. GRANTCHAROVA 31OCT2014				
		APVD D. MEYER 31OCT2014	NAME PLUG CONNECTOR, SHELL SIZE 24 BAYONET COUPLING HD30 SERIES			
TOLERANCES UNLESS OTHERWISE SPECIFIED:		PRODUCT SPEC 0425-015-0000	SIZE A3	CAGE CODE -	DRAWING NO HD36-24-XXP/SX	RESTRICTED TO -
MATERIAL SEE NOTE		APPLICATION SPEC 0425-016-0000	SCALE 2:1		SHEET 1	OF 1
FINISH -		WEIGHT -	Customer Drawing		REV B1	